



# **POLAR JET®**

## **Tank Cleaning Machine**



## TANK CLEANING EQUIPMENT



### POLAR JET® PJ 30

The Polar Jet® PJ 30 is a fully programmable, single nozzle Tank Cleaning machine equipped with pitch and speed control.

Nozzle movement is fully controlled by the integrated turbine driven control unit, which controls both the vertical pitch and rotation speed.

Nozzle movement is, in principle, a controlled rotation in the horizontal plane, combined with a slow, controlled vertical movement. This means that the nozzle performs helical patterns.

The PJ 30 can also be equipped with a magnetic transmission which prevents the risk of exposing the tank to the outside environment. Thus, allowing the Control Unit to be removed without accidental leakage since the Turbine Shaft does not directly go through the Inlet Housing.

The PJ 30 comes with operator-friendly controls to set both vertical Pitch and rotation Speed. There are two Speed Settings and three Pitch Settings of approximately 1.5, 3 and 7 degrees providing six basic programs.

Angle adjustment allows pre-setting of the Pitch at the start of either the upward or downward cycle for optimal cleaning of specific areas such as bottom only or side only cleaning requirements.

Polarmarine provide in-house Shadow Diagrams using 3-Dimensional CAD for model Selection, Quantity, Positioning and Main Pipe Lengths to optimize cleaning coverage per unit.



# DATA SHEET PJ 30

**SMALLEST DECK OPENING 180mm.**

## INLET FLANGE

CONNECTION TO FIT  
JIS STANDARD

PCD 120mm.  
8 Holes Ø19mm.

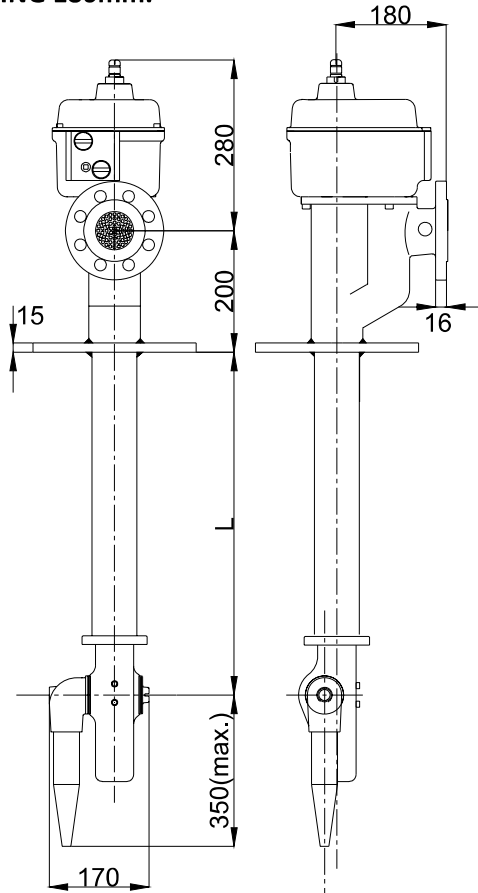
CONNECTION TO FIT  
DIN STANDARD

PCD 125mm.  
4 Holes Ø19mm.

CONNECTION TO FIT  
ANSI STANDARD

PCD 4 3/4 in.  
4 Holes Ø3/4 in.

APPROX. WEIGHTS	
L (m)	Weight (Kg)
1.0	49
2.0	56
3.0	63
4.0	70
5.0	77



## DECK FLANGE

CONNECTION TO FIT  
JIS STANDARD

O.D. 270mm.  
PCD 225mm.  
8 Holes Ø19mm.

CONNECTION TO FIT  
DIN STANDARD

O.D. 265mm.  
PCD 225mm.  
8 Holes Ø19mm.

CONNECTION TO FIT  
ANSI STANDARD

O.D. 10 in.  
PCD 8 1/2 in.  
8 Holes Ø7/8 in.

SHIPYARD SUPPLY
DECK FLANGE CONN.
GASKET
STUDS
NUTS
WASHER

## PERFORMANCE DATA FOR POLAR JET® PJ 30

PRESSURE, NOZZLE DIAMETER, THROUGHPUT AND JET LENGTH

Pressure	Nozzle Ø12mm.		Nozzle Ø14mm.		Nozzle Ø16mm.		Nozzle Ø18mm.		Nozzle Ø20mm.	
	m <sup>3</sup> /h	meter	m <sup>3</sup> /h	meter	m <sup>3</sup> /h	meter	m <sup>3</sup> /h	meter	m <sup>3</sup> /h	meter
12	19.0	25.0	27.0	26.5	35.0	28.5	44.0	29.5	54.0	31.5
11	18.0	24.5	26.0	26.0	33.5	27.5	42.0	29.0	51.0	31.0
10	17.0	23.5	24.0	25.5	32.0	27.0	39.0	28.5	48.0	30.5
9	16.0	22.5	23.0	24.5	30.0	26.0	37.0	27.5	45.0	29.5
8	15.0	21.5	22.0	23.5	28.5	25.0	34.5	26.5	42.5	28.5
7	14.0	20.5	20.0	22.5	27.0	24.0	32.0	25.5	40.0	27.5
6	13.0*	19.5	19.0	21.5	25.0	23.0	30.0	24.5	37.0	26.5

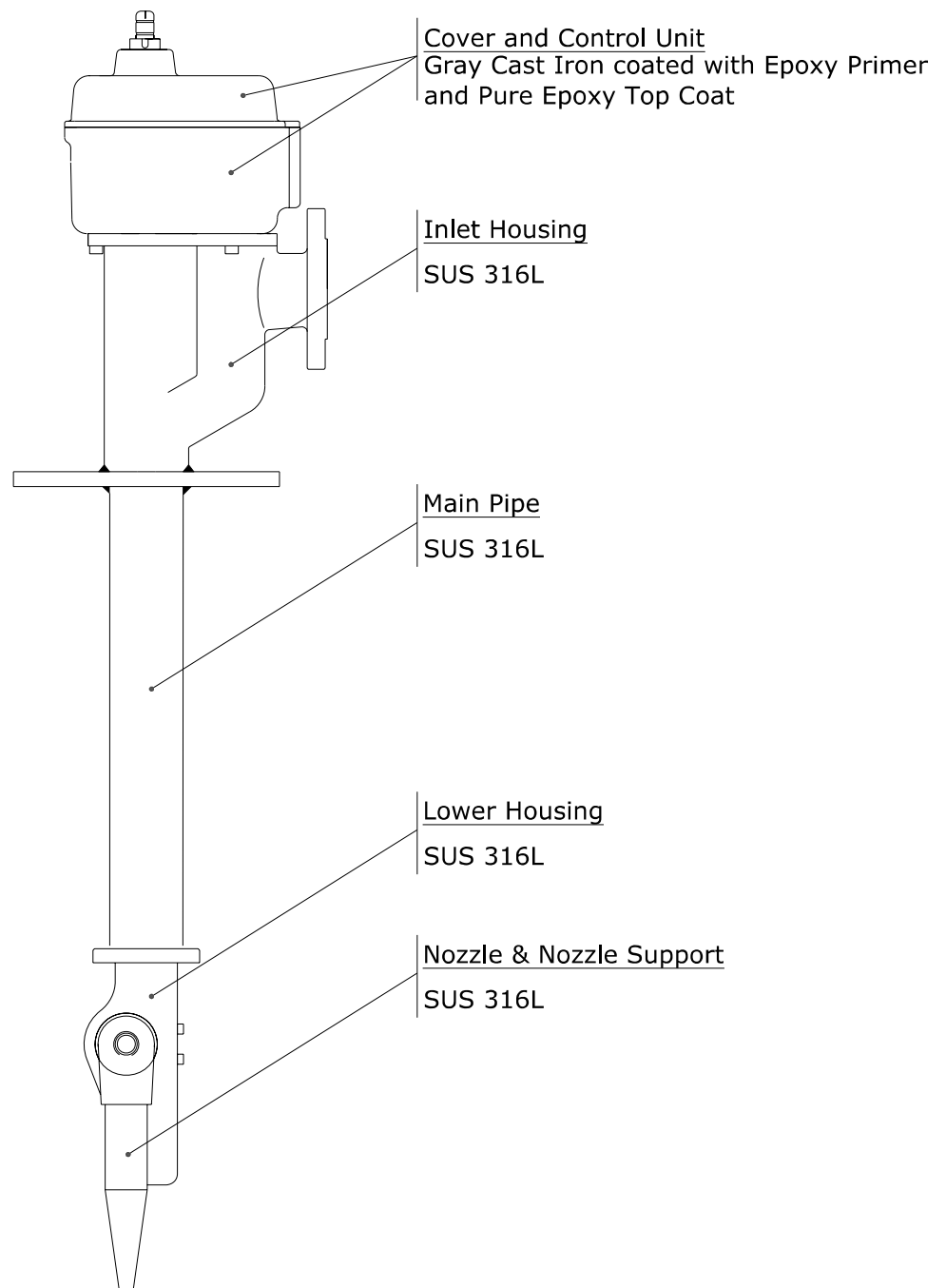
Pressure	Nozzle Ø22mm.		Nozzle Ø24mm.	
	m <sup>3</sup> /h	meter	m <sup>3</sup> /h	meter
12	60.0	33.0	69.0**	35.0
11	57.0	32.5	65.5	34.5
10	54.0	32.0	62.0	33.5
9	51.0	31.0	58.0	32.5
8	48.0	30.0	54.5	31.5
7	45.0	29.0	51.0	30.5
6	42.0	28.0	47.0	29.5

\*At this low capacity of Polar Jet PJ 30 has, we suggest considering using PJ 15. Refer to Polar Jet PJ 15 Data Sheet.

\*\* At this high capacity of Polar Jet PJ 30 has, we suggest considering using PJ 120. Refer to Polar Jet PJ 120 Data Sheet.



# PJ 30 – Material Specification



\*Paint specification is Polarmarine Standard. Modification of paint specification is subject for additional charge.

\*\*Also available with SUS316L Control Unit and Cover upon request and subject to additional charge.

\*\*\***PJ30 with magnetic coupling** also available upon request and subject to additional charge.

## POLARMARINE

Box 1035  
SE-212 10 Malmö  
SWEDEN  
TEL: +46 - 31-965900  
E-mail: sales@polarmarine.se