

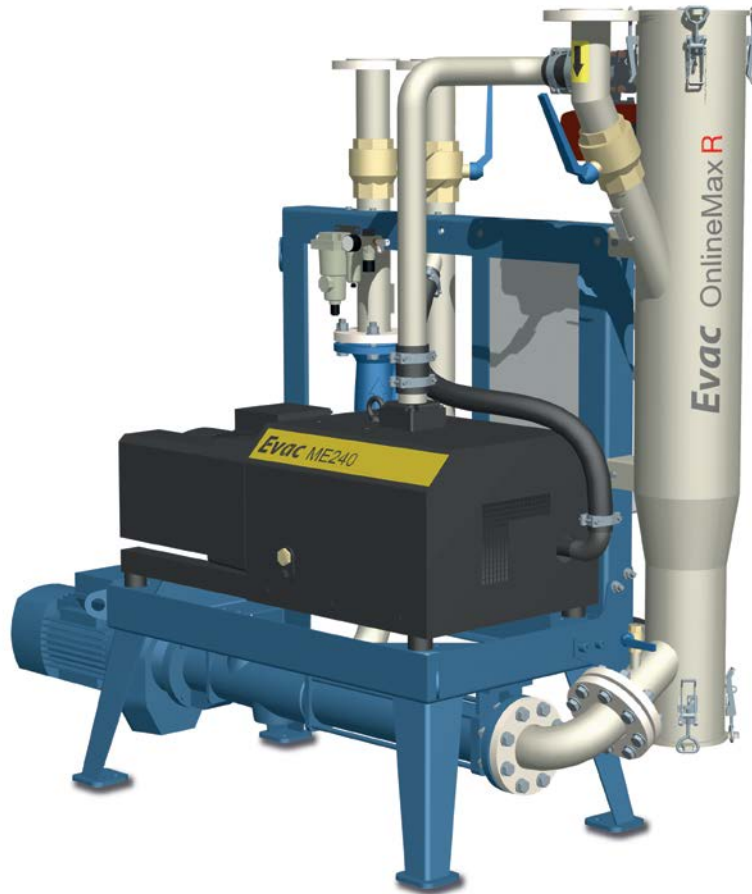


Cleantech Solutions.
Anywhere.



Evac OnlineMax R

Online double-stage vacuum generation unit



Benefits

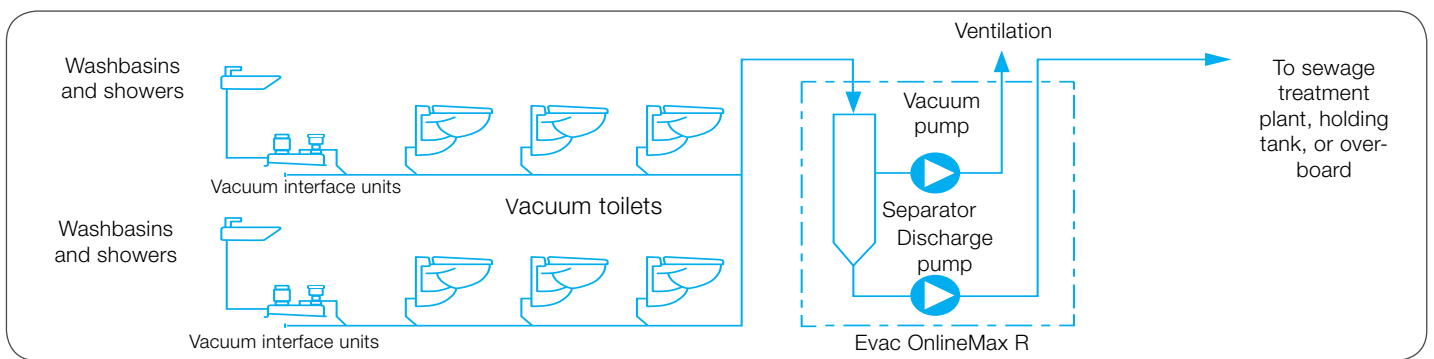
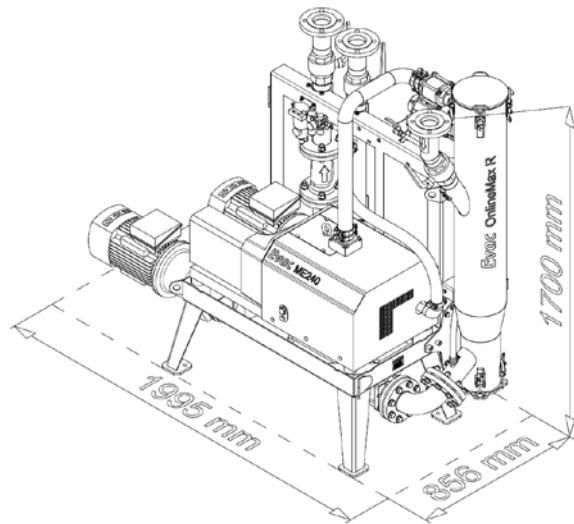
- High-capacity system with a small footprint (1 m² / 10.76 ft²)
- Suitable for both new builds and retrofits
- Quick and flexible installation
- High energy efficiency
- Simple, fully automatic operation
- Robust design with high-quality, reliable components
- No foaming means no need for antifoaming chemicals
- No collection tank needed
- High discharge head of up to 20 meters/65.61 feet
- No sealing water required, meaning lower fresh water consumption



Evac OnlineMax R

The Evac OnlineMax R is the most powerful and energy-efficient online vacuum collection system on the market. The Max concept was designed as an energy efficient way to meet the increasing demand for larger vacuum capacity in vacuum toilet systems on large vessels such as cruise ships. The Evac OnlineMax R offers significant long-term operational savings – the bigger the vessel, the greater the cost efficiency.

In the double-stage vacuum (DSV) system, the air/ sewage mixture is divided into separate sewage and air phases. Because each phase is handled by a separate specialized pump rather than by common, non-optimized pumps for both phases, the system is much more efficient.



Model	Vacuum (m ³ /h) 50 Hz	Vacuum (m ³ /h) 60 Hz	Discharge (m ³ /h)	Max. discharge head (m)	Net weight (dry) kg
Evac OnlineMax R 100	80	100	15	20	470
Evac OnlineMax R 175	140	175	15	20	470
Evac OnlineMax R 240	200	240	15	20	540
Evac OnlineMax R 300	250	300	15	20	540

Pump types: Dry claw vacuum pump, progressive cavity pump
Materials: Vacuum pump with cast-iron casing, PTFE coated inside
 Sewage pump with cast-iron casing
Frame: Steel S235 EN S355 (ASTM A572)

Piping: Acid-proof steel EN 1.4404 (AISI 316L)
Connections: Flanges PN10: inlet DN65, outlet (sewage) DN65, vent (air) DN65
Pressurized air: Ø8 mm (push fit), 6–8 bar
Vacuum inlet, discharge, and ventilation: DN65 / PN10 (EN 1092-1)

Related products

1. Evac Optima 5 vacuum toilets
2. Evac vacuum interface valves
3. Evac food waste management vacuum system
4. Evac MBR wastewater treatment membrane bioreactor



Cleantech Solutions.
Anywhere.



Vacuum collection



Wastewater treatment



Dry and wet waste treatment*



Fresh water generation



Systems automation

Representative

Evac Group is the world's leading provider of integrated waste-, wastewater-, and water management systems for the marine, offshore, and building industries. The company has executed over 20,000 marine, 1,500 offshore and 2,000 building projects worldwide. Evac has employees in Brazil, China, Finland, France, Germany, Korea, Norway and the USA, and representatives in more than 40 countries.

www.evac.com / Our contact information at www.evac.com/contacts

* Sold under Bvac trademark for the building industry.