



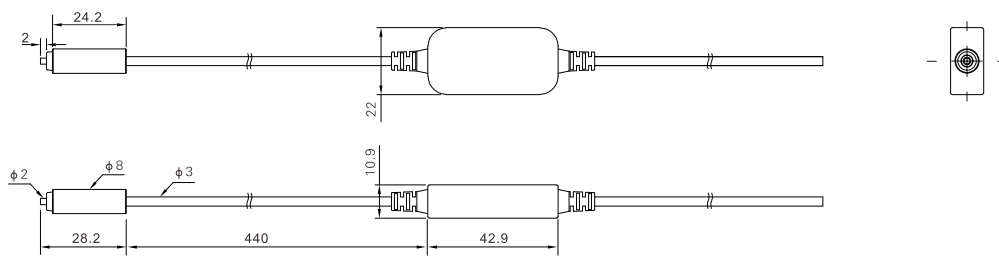
Appearance		
Detection principle	Differential transformer	
Measuring range	1mm	
Resolution	0.2 μm	
Repeat accuracy	5 μm	
Measuring force	Downward mounting	1.0N
	Horizontal mounting	0.9N
	Upward mounting	0.8N
Sampling period	100ms	
Mechanical response	40Hz	
Operating voltage	12~24V	
Indicator light	Monochrome LED	
Degree of protection	IP67	
Ambient temperature	(-10℃~+55℃)	
Ambient humidity	10~85%RH, No freezing	
Vibration resistance	10~55HZ Double amplitude 1.5mm, XYZ three directions, 2 hour each	
Shock resistance	1000m/s ²	
Material	SUS304. Cable between sensor and repeater: PVC, Relay amplifier: PPSU	
Communication protocol	Modbus RTU	
Weight	≈30g	
Model No.	MR-D28-485	

- ※ Values display when ambient temperature is 20℃
- ※ Customization is available at customers' requests

- Fiber Optic
- Slot Sensors
- Photoelectric
- Laser
- Proximity
- Displacement**
- Magnetic
- Contact
- Area
- Ultrasonic
- Vision
- Code Readers
- Vibration
- Temperature
- Accessories

Dimensions

Unit: mm

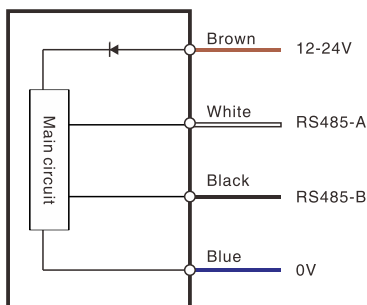


Guidance

- Displacement**
- Triangulation
- Linear measurement
- Magnetic displacement
- LIDAR Scanner
- Color confocal

Circuit diagram

■ 485



Magnetic Displacement

MR-DT Series

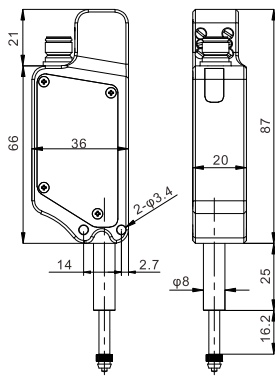


Appearance				
Detection principle	Scale pulse system (absolute value type)			
Measuring range	15mm	35mm	55mm	
Resolution	0.1 μm	0.5 μm	1.0 μm	
Repeat accuracy	± 2 μm	± 2 μm	± 3 μm	
Operating Voltage	12V (No analog output) 15V (Analog output)			
Indicator light	2-color LED (red, green)			
Degree of protection	IP50			
Ambient humidity	(-10°C~+50°C)			
Power consumption	0.75W			
Logic output	NPN 100mA Max; 40V Max			
Analog output	4~20mA (Loaded by 50 Ω)/0~10V			
Material	Aluminum			
Communication Interface	Rs485 and SSI or RS232			
Weight	≈ 110g	≈ 150g	≈ 180g	
Model No.	12V Voltage Type	MR-DT-L15- <small>485: RS485&SSI Output 232: RS232 Output</small>	MR-DT-L35- <small>485: RS485&SSI Output 232: RS232 Output</small>	MR-DT-L55- <small>485: RS485&SSI Output 232: RS232 Output</small>
	15V Voltage Type	MR-DT-H15- <small>A: Current output V: Voltage output 485: RS485&SSI Output 232: RS232 Output</small>	MR-DT-H35- <small>A: Current output V: Voltage output 485: RS485&SSI Output 232: RS232 Output</small>	MR-DT-H55- <small>A: Current output V: Voltage output 485: RS485&SSI Output 232: RS232 Output</small>

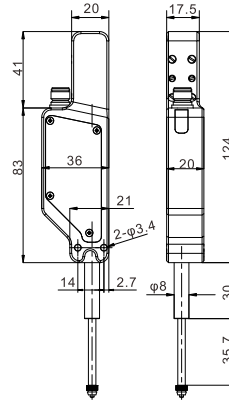
Dimensions

Unit: mm

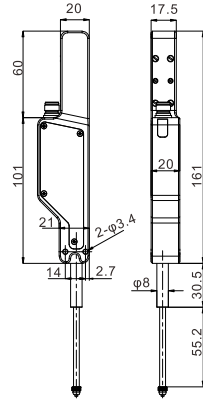
MR-DT-L/H15



MR-DT-L/H35

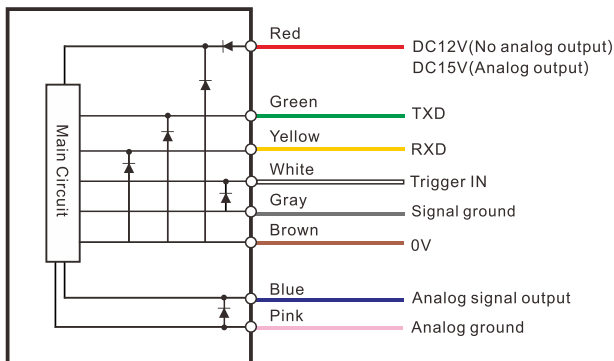


MR-DT-L/H55



Circuit diagram

RS232



RS485-SSI

