



Appearance

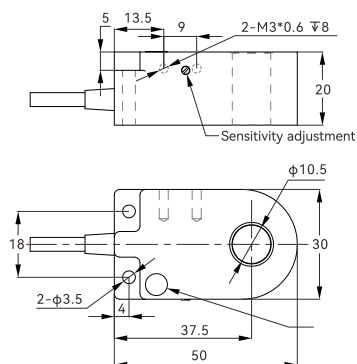
Size	H10	H15	H21	H43
Hole diameter	10.5mm	15.5mm	22.5mm	43.5mm
Hole height	20mm			
Housing material	ABS			
Operating voltage	10~30V DC (Ripple < 10%)			
Voltage drop	< 1.5V			
Load Current, Max	150mA			
Current consumption	< 15mA			
Leakage current	< 10mA			
Switch frequency	2KHz	1.5KHz	1KHz	500Hz
Min. detectable object	D=2.5mm; L=4mm	D=3mm; L=6mm	D=6mm; L=12mm	D=9mm; L=18mm
Repeat accuracy	< 2.0% (Sr)			
Hysteresis	< 15% (Sr)			
Sensing surface material	PBT			
Operating Temperature	-25°C ~ +75°C			
Circuit Protection	Short circuit; Reverse polarity			
Degree of protection	IP67			
Model No.	TH10-20	TH15-20	TH21-20	TH43-20

: NPN Normally open   : NPN Normally closed   : PNP Normally open   : PNP Normally closed

## Dimensions (Unit:mm)

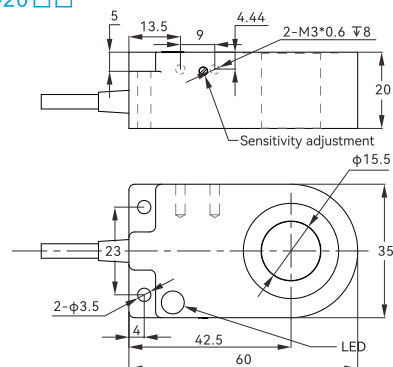
H10

TH10-20



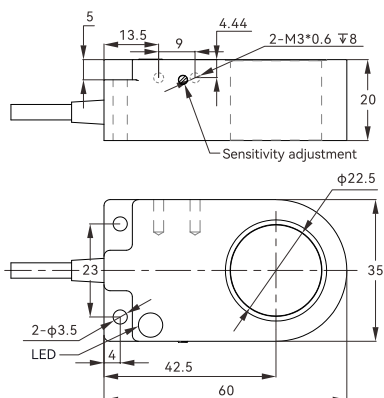
H15

TH15-20



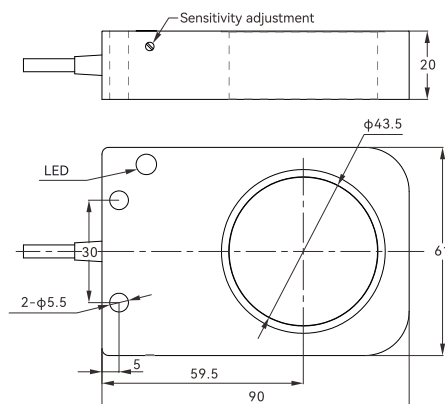
H21

TH21-20



H43

TH43-20



Fiber Optic

Slot Sensors

Photoelectric

Laser

Proximity

Displacement

Magnetic

Contact

Area

Ultrasonic

Vision

Code Readers

Vibration

Temperature

Accessories

Guidance

Inductive sensors

Standard distance

Extended distance

Long distance

Square

Mini square

Mini-cylindrical

Short-body

Ring-type

Metal face

Temperature

IP69K high protection

Analog output

DC 2 wires

Capacitive sensors

Cylindrical

Correction

resistanc type

Flat type

Level detection