

QAOL1



Collision avoidance lights for running automobile and moving objectives in airport runway and aerodrome



QAOL1

PRODUCT SPECIFICATION

QAOL1

- Type** Low intensity C type
- Materials** Lens-PC, Housing-PC
- Ambient operating temperature** -30°C to +50°C
- Protection rating** IP66
- Standard housing color** Amber
- Cable entry** Ø9
- Light source** High intensity light emitting diodes(LED)
- Light color** Amber
- Luminous intensity** 200cd±25%
- Light function** Flashing

- Low intensity type C is intended for automobile and moving objectives in airport runway and aerodrome.

QAOL1 Low Intensity LED Aviation Obstruction Light

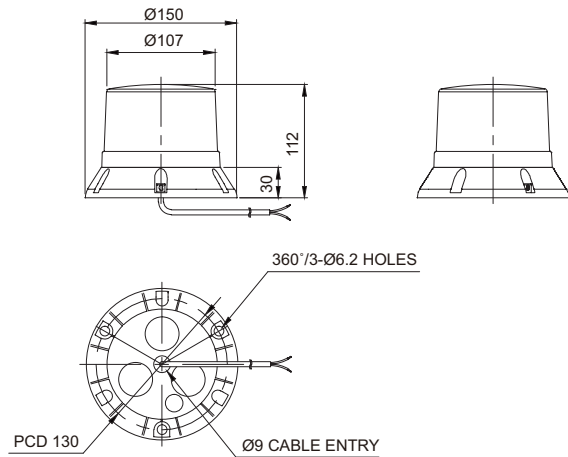
Model number	Voltage	Power consumption	Certificate	Weight	Color
QAOL1	DC12V-24V	20W		1.06Kg	Amber

※ CE, CE compliant: DC24V

Technical Diagram

·QAOL1

Units: mm



Ordering Specification

QAOL1	-	24	-	A
[Model number]		[Voltage]		[Color]
QAOL1		12/24-DC12V-24V		A-Amber