

MEDIUM-INTENSITY Type A+W,rot ES

ICAO MI Type A 20 000cd
BMVBS W, rot ES red

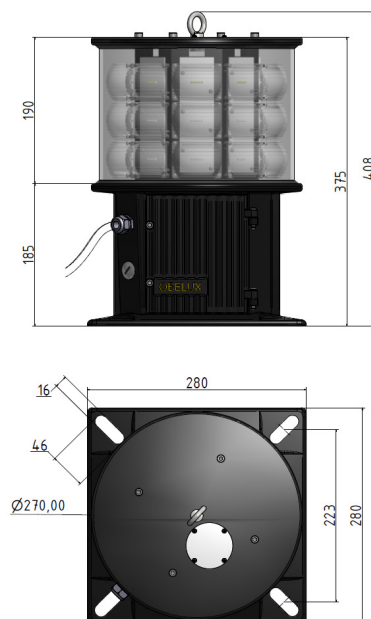
OBELUX
AVIATION LIGHTS

Obelux Oy, Kutomotie 6 B, 00380 Helsinki FINLAND | The information in this document is subject to change without notice. © Obelux Oy 2014

WWW.OBELUX.COM

Optical characteristics

- ▶ 20 000 white / 100cd red (effective)
- ▶ Colour aviation White and RED
- ▶ Horizontal beam 360°
- ▶ W, rot ES red vertical beam
- ▶ W, rot flashing



For illustration only

Medium-Intensity White 20 000cd and Red W, rot ES stand-alone Series for the German market

LED Aviation Obstruction Lights

Obelux medium-intensity stand-alone 20 000cd White and W, rot ES Red model is designed for wind turbines. The product offers unique features such as incorporated fault monitoring, photocell, GPS synchronization. Serial RS-485 and Ethernet interfaces as an option.

Specifications met

ICAO International Standards and Recommended Practices:
Aerodromes Annex 14 Volume 1,
6th Edition, July 2013, Chapter 6:
Medium-intensity Type A

BMVBW LS 11/60.01.87-01/5 Va 02,
24. September 2002

Veröffentlicht am Dienstag, 1.
September 2015, BAnz AT
01.09.2015 B4
W, rot ES

Key Features

- ▶ Based on LED technology
- ▶ 20 000 cd (effective) WHITE flashing and RED W, rot flashing
- ▶ Suitable for Offshore environment
- ▶ Incorporated GPS synchronisation as an option
- ▶ Adjustable luminous output levels 10%, 30%, and 100%
- ▶ Incorporated photocell and fault monitoring
- ▶ Design lifetime more than 20 years
- ▶ 5 year warranty- the longest in the industry

MEDIUM-INTENSITY Type A+W,rot ES

ICAO MI Type A 20 000cd
BMVBS W, rot ES red

OBELUX
AVIATION LIGHTS

Obelux Oy, Kutomotie 6 B, 00380 Helsinki FINLAND | The information in this document is subject to change without notice. © Obelux Oy 2014

WWW.OBELUX.COM

Electrical Characteristics

- ▶ Operating voltage 90-265V_{AC}
- ▶ Flash rates: 20/30/40/60 fpm
- ▶ Meets standards
 - EMC (Emissions): EN 61000-6-4
 - EMC (Immunity): EN 61000-6-2
- ▶ Power consumption for typical use
 - 19W @ Day (WHITE, 40 fpm)
 - Less than 10W @ Night (W, rot ES)

(Flash pulse length in day and twilight mode is 100ms.)

- ▶ Recommended cables (Outdoor):
 - Power (L-N-PE): 3x1,5mm² or 3x2,5mm²
 - Data: CAT 6
 - Alarm: CAT 6, 3x1,5mm² or 3x2,5mm²
 - Power + Alarm: 6x1,5mm² or 6x2,5mm²
- ▶ Terminals can be used to distribute power and data to another light head (6 core cable must be used).

Mechanical Characteristics

- ▶ Painted marine grade aluminium body (C5MHigh)
- ▶ Glass cover
- ▶ Degree of protection IP66
- ▶ Operating temperature range -40...+55 °C
- ▶ Mounting 240x240mm, φ17mm
- ▶ Height 408 mm, diameter 270 mm
- ▶ Weight 14 kg

Additional Factory-Installed Options

- ▶ NVG compliant infrared (IR)
(product code: MIWES-ACWIRGAM)

Order code	Output	ICAO	Op. volt.	GPS synch	Infrared	Photocell and Fault monitoring	Packing dimensions
MIWES-ACWGAM	20 000cd	Type A+W,rot ES	90-265VAC	Yes	No	Yes	470x340x330, 16kg
MIWES-ACWIRGAM	20 000cd	Type A+W,rot ES	90-265VAC	Yes	Yes	Yes	470x340x330, 16kg